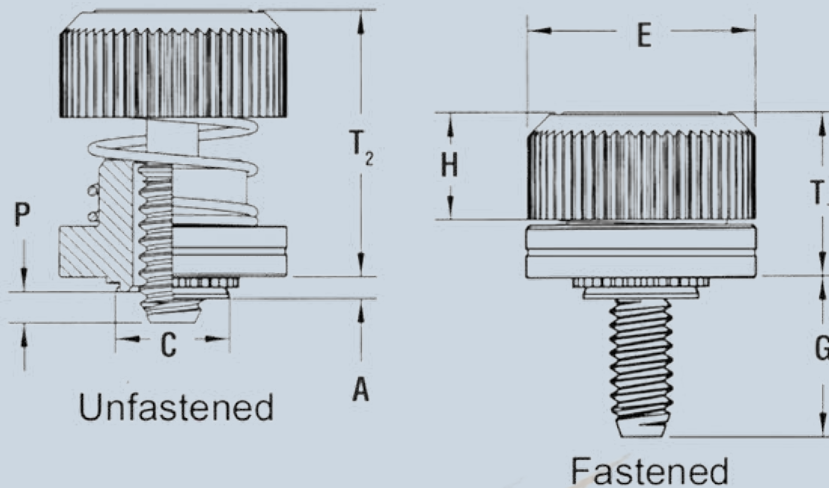




# PANEL FASTENERS

For the use in modern fabrications panel fasteners comes in all different shapes, material and thread sizes. State enterprises keeps all types of panel fasteners as per customer specific requirements. Panel fasteners are designed to help keep parts to a minimum risk associated with loose hardware that could fall out and damage the internal components. Panel fasteners are hence used to attach metal parts or components in applications where subsequent access is necessary.

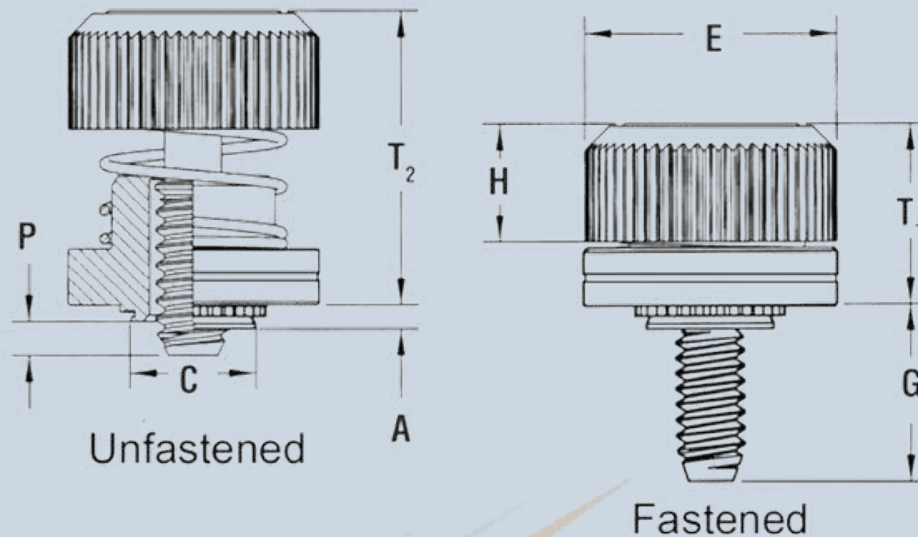
# PF 50/PF 60 PANEL FASTENERS



All dimensions are in inches

Thread Size	Type		Thread Code	Screw Length Code	A (Shank) Max.	Min. Sheet Thickness	Hole Size In Sheet +.003 - .000	C Max.	E +.015 - .005	G ±.025	H ±.008	P ±.025	T1 Max.	T2 Nom.	Driver Size	Min. Dist Hole To Edge
	Knurled Cap	Smooth Cap														
.112-40 (#4-40)	PF50	PF60	440	0	.030	.030	.203	.202	.406	.230	.207	.000	.340	.520	#1	.26
				1												
	PF51	PF61	440	0	.038	.040	.203	.202	.406	.230	.207	.000	.340	.520	#1	.26
.138-32 (#6-32)	PF50	PF60	632	0	.030	.030	.219	.218	.438	.230	.207	.000	.340	.520	#2	.28
				1												
	PF51	PF61	632	0	.038	.040	.219	.218	.438	.230	.207	.000	.340	.520	#2	.28
.164-32 (#8-32)	PF50	PF60	832	0	.030	.030	.250	.249	.468	.230	.217	.000	.340	.520	#2	.29
				1												
	PF51	PF61	832	0	.038	.040	.250	.249	.468	.230	.217	.000	.340	.520	#2	.29
.190-32 (#10-32)	PF50	PF60	032	0	.030	.030	.312	.311	.530	.230	.225	.000	.340	.530	#2	.33
				1												
	PF51	PF61	032	0	.038	.040	.312	.311	.530	.230	.225	.000	.340	.530	#2	.33
.250-20 (1/4-20)	PF50	PF60	0420	0	.058	.060	.375	.374	.625	.280	.246	.000	.395	.600	#2	.38
				1												
	PF51	PF61	0420	0	.058	.060	.375	.374	.625	.280	.246	.000	.395	.600	#2	.38

# PF 50/PF 60 PANEL FASTENERS



All dimensions are in millimetres

Thread Size x Pitch	Type		Thread Code	Screw Length Code	A (Shank) Max.	Min. Sheet Thickness	Hole Size In Sheet + 0.08	C Max.	E +0.4 - 0.13	G ±0.6 4	H ±0.2	P ±0.6 4	T1 Max	T2 Nom.	Driver Size	Min. Dist Hole To Edge
	Knurled Cap	Smooth Cap														
M3 x 0.5	PF50	PF60	M3	0	0.77	0.8	5.5	5.48	10.3	5.84	5.26	0	8.64	13.2	#1	6.6
				1								1.52				
	PF51	PF61	M3	0	0.97	1	5.5	5.48	10.3	5.84	5.26	0	8.64	13.2	#1	6.6
				1								1.32				
	PF52	PF62	M3	0	1.48	1.5	5.5	5.48	10.3	5.84	5.26	0	8.64	13.2	#1	6.6
				1								0.81				
M3.5 x 0.6	PF50	PF60	M3.5	0	0.77	0.8	5.56	5.54	11.1	5.84	5.26	0	8.64	13.2	#2	7.1
				1								1.52				
	PF51	PF61	M3.5	0	0.97	1	5.56	5.54	11.1	5.84	5.26	0	8.64	13.2	#2	7.1
				1								1.32				
	PF52	PF62	M3.5	0	1.48	1.5	5.56	5.54	11.1	5.84	5.26	0	8.64	13.2	#2	7.1
				1								0.81				
M4 x 0.7	PF50	PF60	M4	0	0.77	0.8	6.4	6.38	11.9	5.84	5.51	0	8.64	13.4	#2	7.4
				1								1.52				
	PF51	PF61	M4	0	0.97	1	6.4	6.38	11.9	5.84	5.51	0	8.64	13.4	#2	7.4
				1								1.32				
	PF52	PF62	M4	0	1.48	1.5	6.4	6.38	11.9	5.84	5.51	0	8.64	13.4	#2	7.4
				1								0.81				
M5 x 0.8	PF50	PF60	M5	0	0.77	0.8	8	7.98	13.5	5.84	5.72	0	8.64	13.4	#2	8.4
				1								1.52				
	PF51	PF61	M5	0	0.97	1	8	7.98	13.5	5.84	5.72	0	8.64	13.4	#2	8.4
				1								1.32				
	PF52	PF62	M5	0	1.48	1.5	8	7.98	13.5	5.84	5.72	0	8.64	13.4	#2	8.4
				1								0.81				
M6 x 1	PF52	PF62	M6	0	1.48	1.5	9.5	9.48	15.9	7.11	6.25	0	10.0	15.2	#2	9.7
				1								1.52				